

## CHROMAGEN 300

### A New Thermosiphon Solar System Featuring:

- Unique technological developments
- Attractive design
- Quick and easy installation
- High performance



**Chromagen has developed a newly designed thermosiphon, closed loop system for flat or inclined roof installations**

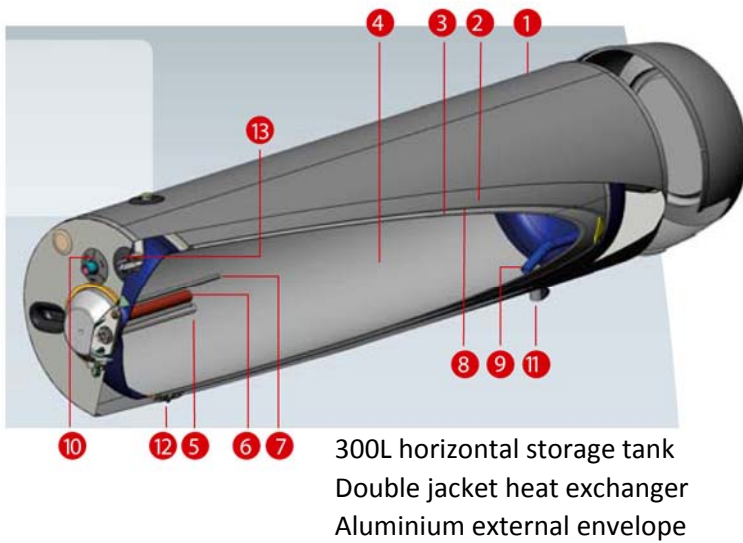
The system consists of:

- A long and narrow storage tank with a double jacket heat exchanger.
- Two flat plate collectors with a solar selective absorber.
- Flexible stainless steel insulated piping and quick fittings for easy and rapid installation.

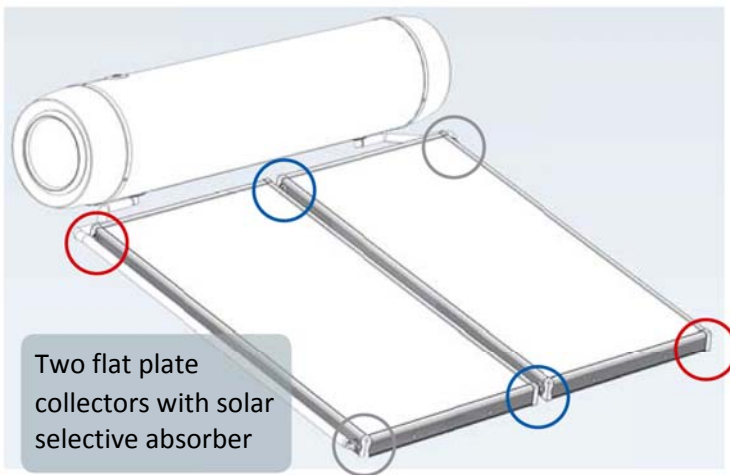
The system is assembled on a modular, corrosion protected steel rack.

Unique metal and plastic covers give the system a perfect uniform appearance.

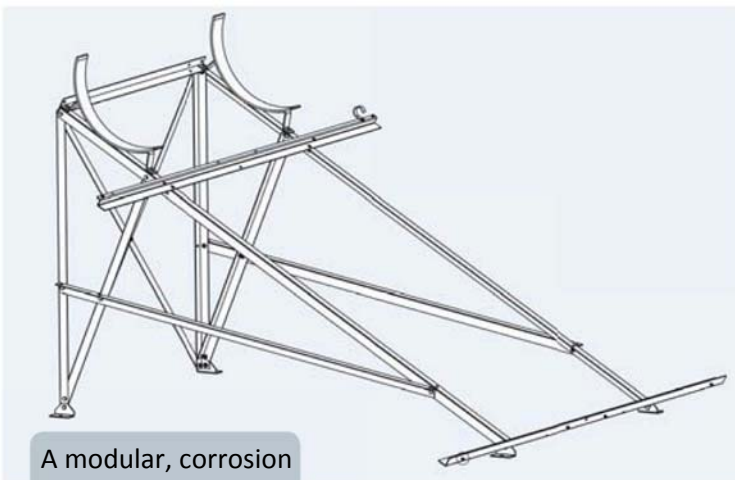
## TECHNICAL SPECIFICATIONS



- 1 External Coating
- 2 Insulation
- 3 Storage Tank
- 4 Enamel Coating
- 5 Electric Element
- 6 Sacrificial Anode
- 7 Thermostat
- 8 Double Jacket Heat Exchanger
- 9 Cold Water Inlet
- 10 Hot Water to User
- 11 Heat Exchanger Inlet
- 12 Heat Exchanger Outlet
- 13 Heat Exchanger Safety Valve



Quick Fittings



### 300L Storage Tank with Double Jacket Heat Exchanger

Water capacity (litre)	300
Heat exchanger fluid capacity (litre)	21
Net length (cm)	190
Length with covers (cm)	227
Diameter (cm)	56
Weight (empty) (kg)	120
Electric heating element (watt)	2500

### Collector Model CR-100 Aluminium Casing x2

Risers diameter (mm)	8
Gross area (m <sup>2</sup> )	2.05
Net aperture area (m <sup>2</sup> )	1.85
Length (cm)	190
Width (cm)	108
Thickness (cm)	9
Weight (empty) (kg)	31
Fluid capacity (litre)	1.2
Max operation pressure (bar)	10
Test pressure (bar)	12